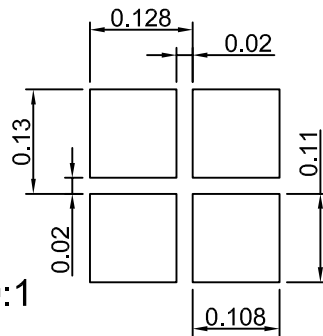
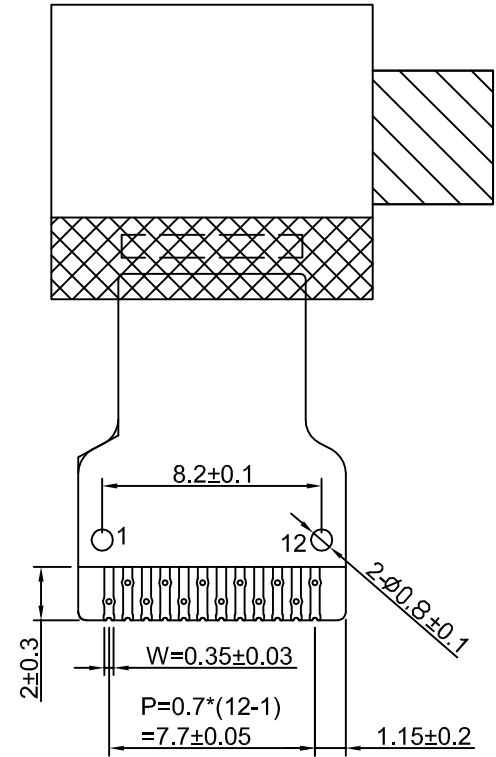
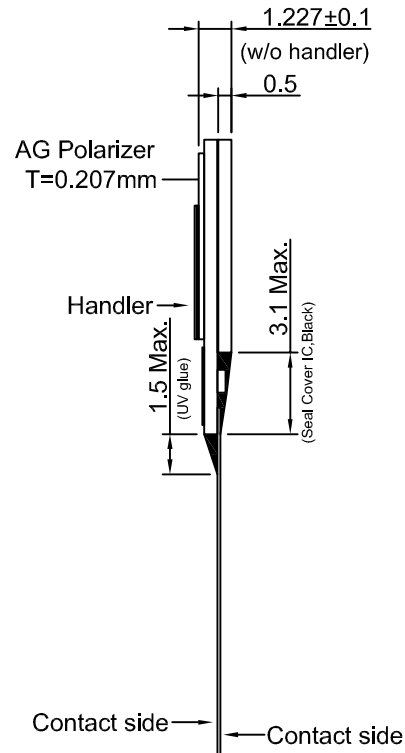
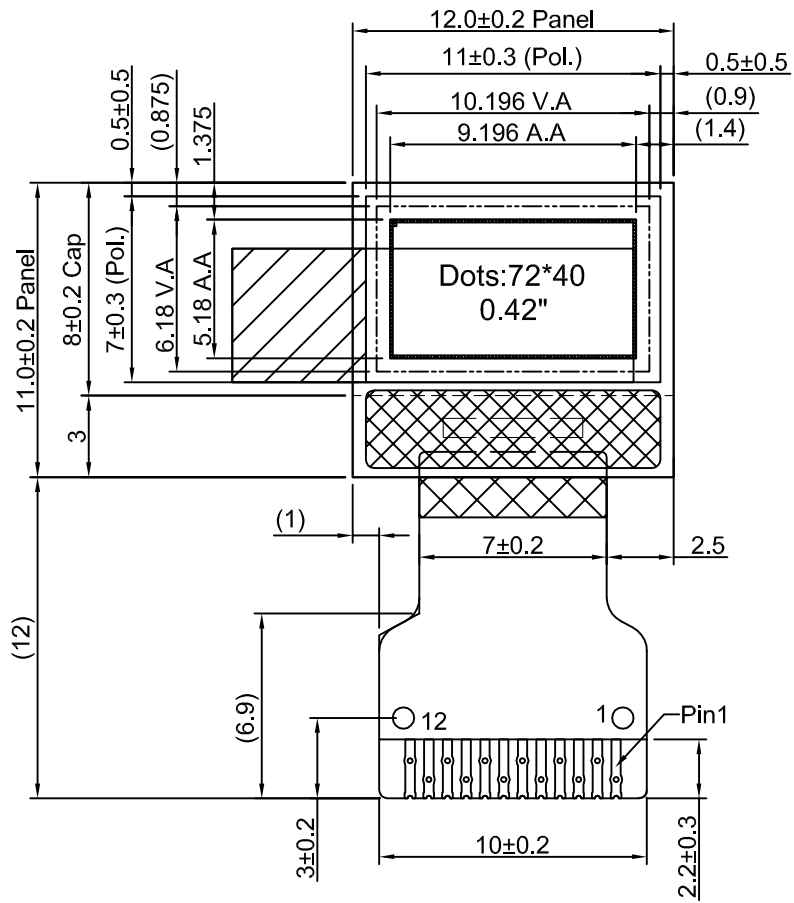
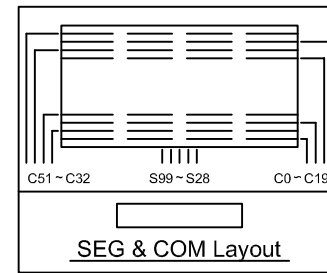


PIN DESCRIPTION	
PIN	SYMBOL
1	VCC
2	VCOMH
3	D1(SDA)
4	D0(SCL)
5	RES#
6	VDD
7	VSS
8	VDDDB(VBAT)
9	C1N
10	C1P
11	C2N
12	C2P



Scale 30:1



NOTES:

- COLOR: WHITE
- OPERATING VOLTAGE: VDDDB=3.8V (TYP.)
- DRIVE DUTY: 1/40
- DRIVER IC: SSD1315
- OPERATING TEMP.: -40°C ~ 70°C
- STORAGE TEMP.: -40°C ~ 85°C
- INTERFACE: I²C
- GENERAL TOLERANCE: ±0.3MM
- ROHS COMPLIANT

Mi MULTI-INNO TECHNOLOGY CO., LTD.

DRAWN BY:	CAROL	2021.12.08		MODULE P/N:
CHECKED BY:			SCALE : 1/1	M17240B0-W
APPROVED BY:			UNIT: mm	DESCRIPTION:
VERSION NO:	01		SHEET NO.: 1/1	OLED MODULE

01	FIRST ISSUE	CAROL	2021.12.08
VER.	REVISED DESCRIPTION	REVISER	DATE